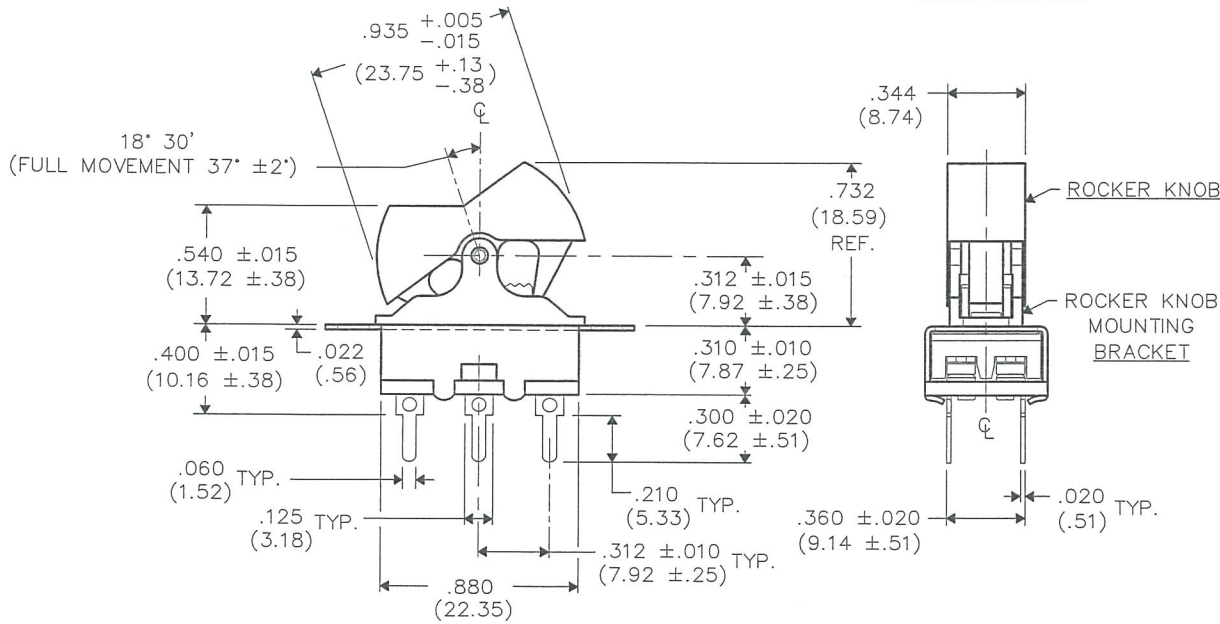
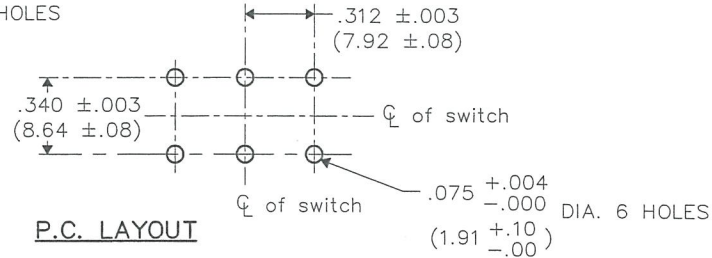
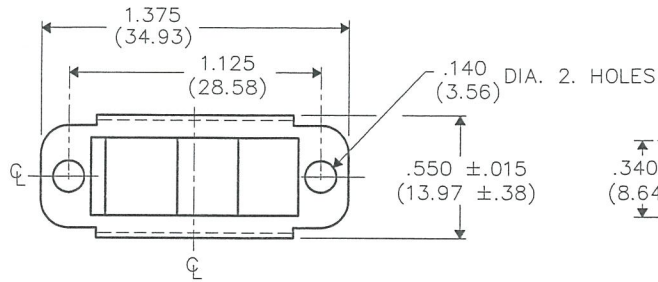


THIS INFORMATION IS CONFIDENTIAL AND PROPRIETARY TO CW INDUSTRIES INCORPORATED AND ITS AFFILIATES. IT MAY NOT BE DISCLOSED TO ANYONE, OTHER THAN CW INDUSTRIES PERSONNEL, WITHOUT WRITTEN AUTHORIZATION FROM CW INDUSTRIES INCORPORATED, SOUTHAMPTON, PENNSYLVANIA USA.

DIMENSIONS IN INCHES (MILLIMETERS)
DO NOT SCALE DRAWING

Dwg. No.

GR5-326-XXXX



-XXXX	ROCKER KNOB COLOR
-0889	ORANGE
-0890	BLUE
-0891	RED
-0892	WHITE
-0893	YELLOW

B-FORMAT 2002

REVISIONS

NO.	DATE	DESCRIPTION
0	7-01-13	RELEASED. DGW

CW INDUSTRIES
Southampton, Pa. 18966

TOLERANCES UNLESS OTHERWISE SPECIFIED

2 Place Decimal ±.010	METRIC
3 Place Decimal ±.005	1 Place Dec. ±.25mm
Angles ±1°	2 Place Dec. ±.13mm

Made for: CW IND.

Drawn by: DGW 7-01-13

Checked by: G. Guld 7-2-13

Approval: G. Guld 7-2-13

Title: SWITCH ASSEMBLY D.P.- D.T.

Division: SWITCH

Dwg. No. GR5-326-XXXX

MASTER